

# TX15B 5.8G 25/150mW mini Video Transmitter

## Features:

Independent external power amplifier for better signals

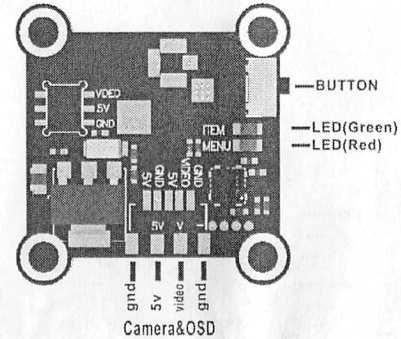
Input voltage: 5-6V

Operation Current: 310mA@5.5V@25mW  
350mA@5.5V@150mW

Frequency range: 5.8G 40CH 5645-5945MHz

Dimensions: 17x22 mm

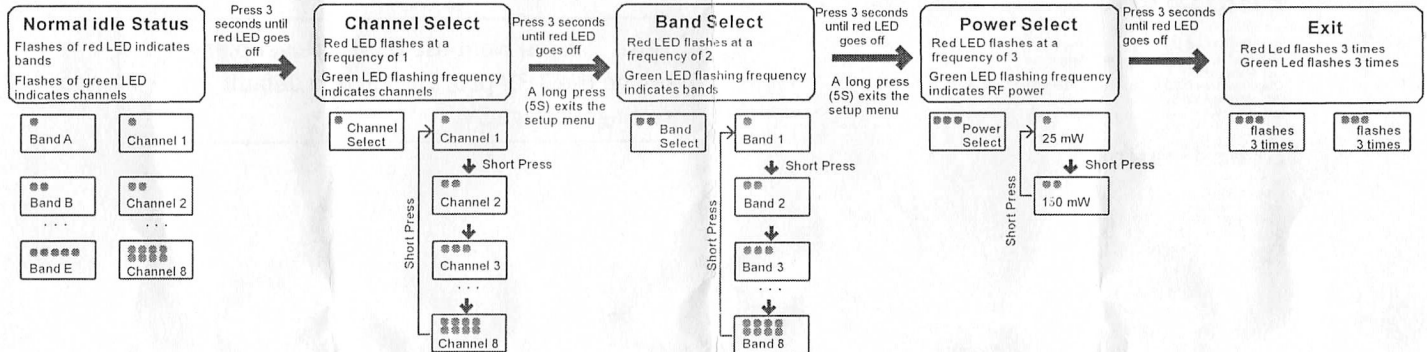
Weight: 2.5g



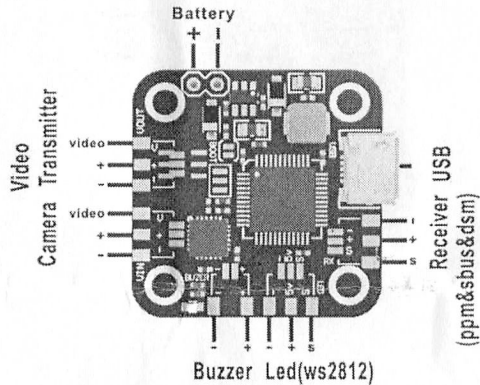
## Frequency table:

CH FR	CH1	CH2	CH3	CH4	CH5	CH6	CH7	CH8
<b>A</b>	5645	5665	5685	5705	5885	5905	5925	5945
<b>B</b>	5740	5760	5780	5800	5820	5840	5860	5880
<b>C</b>	5725	5745	5765	5785	5805	5825	5845	5865
<b>D</b>	5733	5752	5771	5790	5809	5828	5847	5866
<b>E</b>	5658	5695	5732	5769	5806	5843	5880	5917

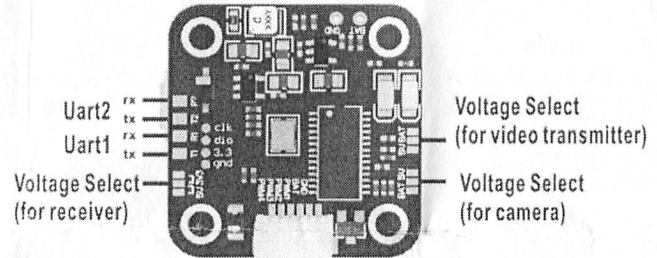
## Manual:



## Top



## Bottom



## Features:

- STM32 F303 MCU
- MPU6000 6 axis SPI Gyro & Accelerometer
- Dshot support
- Drag and Drop OSD configured via Betaflight Configurator
- SBUS/PPM AND Spektrum dsm-x Ports
- On-board Video Filter(only can supply 5V to VTX and Camera)

## Specification:

Input: 2-4 Cell LiPo  
Bec: 5.1V@1.2A  
Firmware: OMNIBUS F3  
Size: 27x27 mm  
Mount holes: 20x20 mm  
Weight: 3.5g

Tips: If you want use DSM receiver please bridge the 3.3V pad, The Factory default settings voltage 5V.